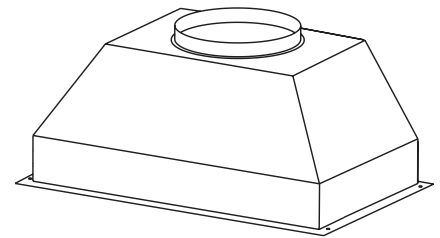


# PK22 SERIES POWER PACK



**Specially designed to be installed in custom canopy hoods for use over residential commercial-style cooking surfaces.**

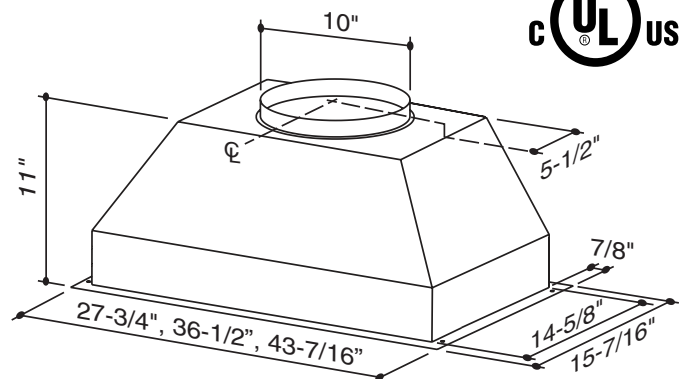
### FEATURES

- Cabinet mount – custom application
- Finish: 430 Stainless Steel
- Widths: 27-3/4", 36-1/2", 43-7/16"
- 10" round duct connector/backdraft damper
- Halogen lighting (2 bulbs included on PK2230 and PK2239 or 3 bulbs on PK2245; Type GU10, MR16 shielded, 120 volt, 50 watts max.)
- Electronic, push-button controls
  - 4 speeds
  - 3 light settings
  - 10-minute delay off
  - 25-hour filter clean indicator
- IQ1200 blower system
  - 1.) Best in class quiet operation
  - 2.) Up to 30% faster smoke and odor removal than comparable models
  - 3.) Up to 22x more energy efficient than comparable models
  - 4.) Guraranteed Performance System (GPS) technology calibrates the power pack to every installation to provide up to 30% more CFM than standard range hoods
- Easily accessible, dishwasher-safe aluminum / stainless steel hybrid baffle filters
  - Less restrictive than traditional baffle filters
  - Less mess / dripping than mesh filters

- Heat Sentry™ - automatically turns blower to high speed when excess cooking heat is detected
- For indoor use only

### OPTIONS

- Stainless liner (AL3036, AL3042, AL3948, AL3954, AL4554, AL4560)
- Ambient light panel (ALP36, ALP42, ALP48, ALP54, ALP60)
- Exterior blowers EB6\*, EB9, EB12, EB15 and inline blowers ILB3\*, ILB6\*, ILB9, ILB11 are compatible with PKEX models (\*These blowers can only be used with ranges rated 60,000 BTU/hr. or less.)
- Remote control (ACR1)
- Make-up air dampers (MD6TU, MD8TU)



### SPECIFICATIONS

MODEL	VOLTS	CFM (High / Working Speed)	SONES (High / Working Speed)	AMPS
PK2230	120	1100 / 250	11.5 / 0.6	8.0
PK2239	120	1100 / 250	11.5 / 0.6	8.0
PK2245	120	1150 / 250	11.0 / 0.6	8.5

Mount range hood so bottom of hood is 24" to 30" above cooking surface.

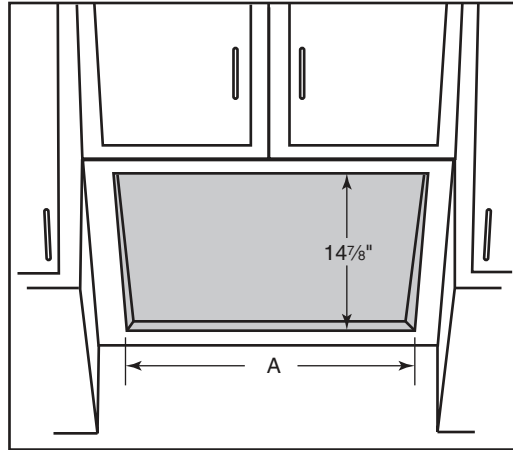
Product performance is rated at 0.1 in. static pressure, based on tests conducted in a state-of-the-art test laboratory. Sones are a measure of humanly-perceived loudness, based on laboratory measurements.

BEST Hartford, Wisconsin [www.BestRangeHoods.com](http://www.BestRangeHoods.com) 800-558-1711  
 BEST Drummondville, QC, Canada [www.BestRangeHoods.com](http://www.BestRangeHoods.com) 866-737-7770

REFERENCE	QTY.	REMARKS	Project
			Location
			Architect
			Engineer
			Contractor
			Submitted by <span style="float: right;">Date</span>

# PK22 SERIES CABINET CUTOUT DIMENSIONS

POWER PACK WIDTH	A
30"	26 $\frac{3}{16}$ "
39"	34 $\frac{15}{16}$ "
45"	41 $\frac{7}{8}$ "



# PK22 SERIES SUPPORT AND MOUNTING SCREWS

Two of the six no. 8-18 x 1 $\frac{1}{4}$ " provided chrome plated screw can be used to support the hood during installation.

Place the power pack inside the custom hood and insert both side screws.

The power pack can now be secured to the custom hood without having to hold it in place.

